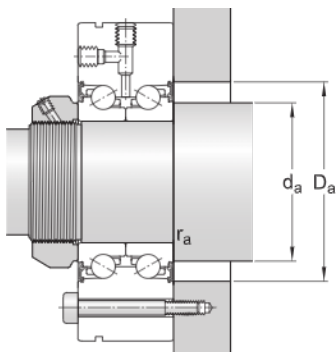
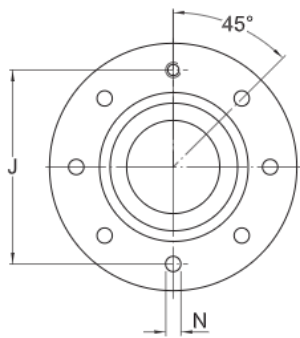
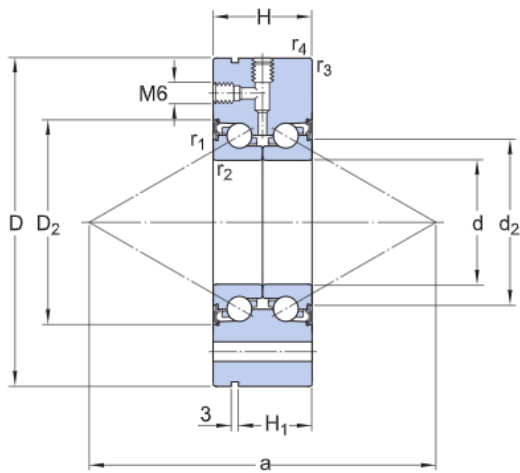


BEAM 020068 C-2RSH

Technical Specification



Dimensions

d	20 mm	Bore diameter
D	68 mm	Outside diameter
H	28 mm	Height
d ₂	32.2 mm	Inner ring recess diameter
D ₂	43.2 mm	Outer ring recess diameter
H ₁	19 mm	Extraction groove position
r _{1,2}	min. 0.3 mm	Chamfer radius
r _{3,4}	min. 0.6 mm	Chamfer radius
a	73 mm	Distance pressure points
J	53 mm	Pitch diameter of holes for bolts
N	6.8 mm	Through hole for attachment bolts

Abutment dimensions

d _a	min. 25 mm	Abutment diameter shaft
D _a	max. 43 mm	Abutment diameter housing
r _a	max. 0.3 mm	Fillet radius

Calculation data

Basic dynamic load rating	C	27.5 kN
Basic static load rating	C_0	51 kN
Fatigue load limit	P_u	1.9 kN
Attainable speed		3 800 r/min
Contact angle	α	60 °
Preload		1 650 N
Frictional moment		0.3 N·m
Axial stiffness for preload A (sets of two brgs back-to-back or face-to-face)		680 N/ μ m
Static moment stiffness		140 N·m/mrad

Mass

Mass bearing		0.58 kg
--------------	--	---------

Mounting information

Required attachment bolt size (DIN 912)		M6
Number of attachment bolts		7
Angle between holes in outer ring (Pitch)	α	45 °